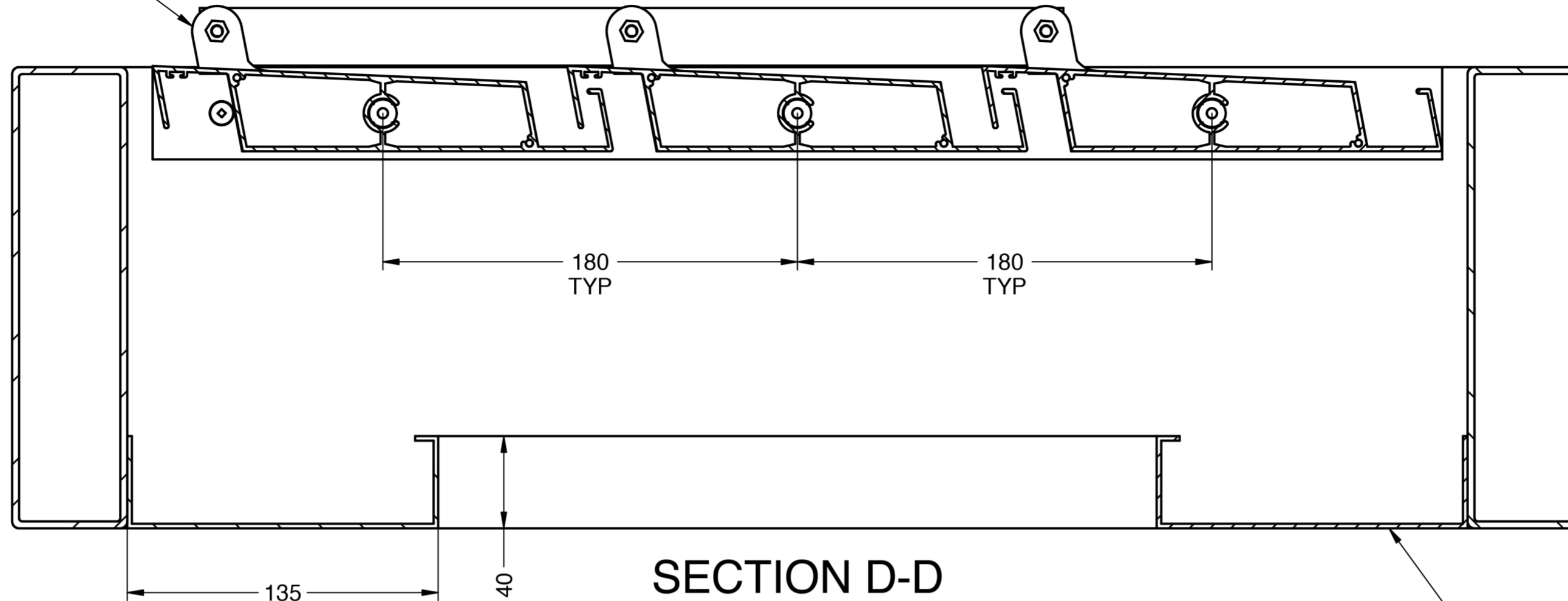


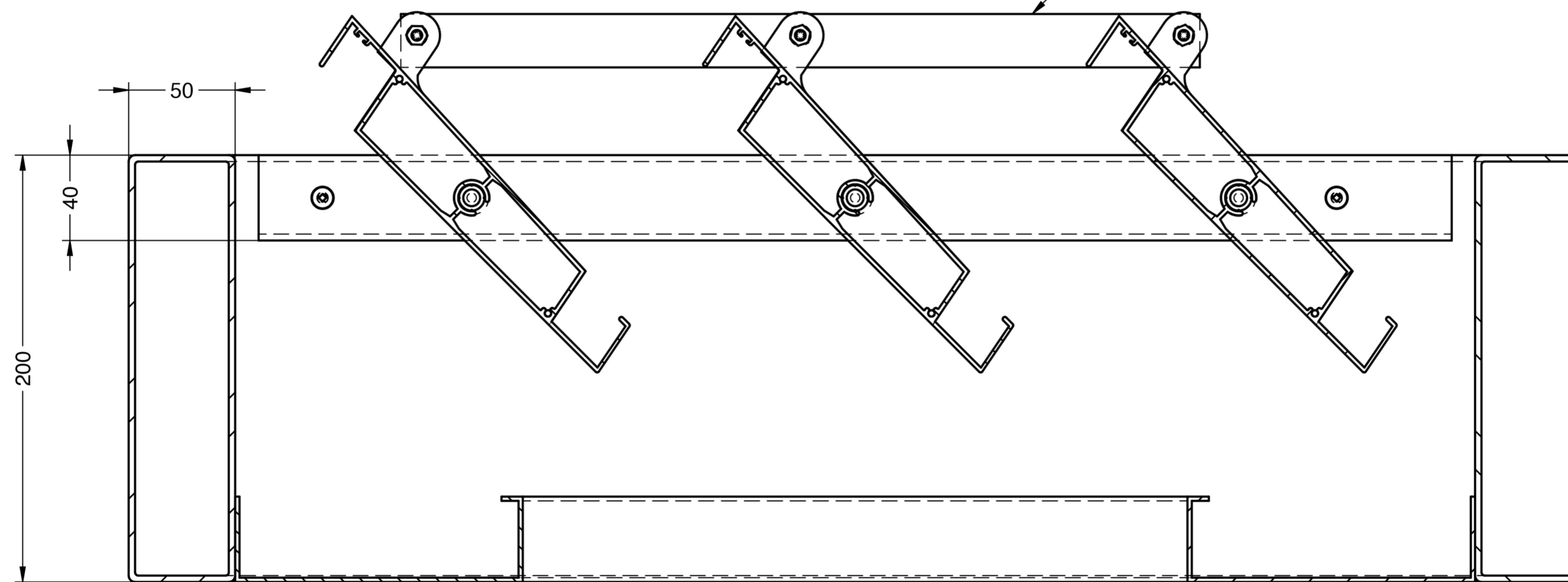
2mm Stainless Steel Louvre End Cap




SECTION D-D

135x40mm Aluminium guttering surrounding inside of frame

Acuator Driven 25x6mm Aluminium Pivoting Arm



Section D-D 45° Arrangement

		
TITLE		
Section D-D View		
SIZE	DWG NO	DRAWN
A2	LS DWG 07	JC
SCALE		
28/07/2018		
SHEET 7 OF 7		