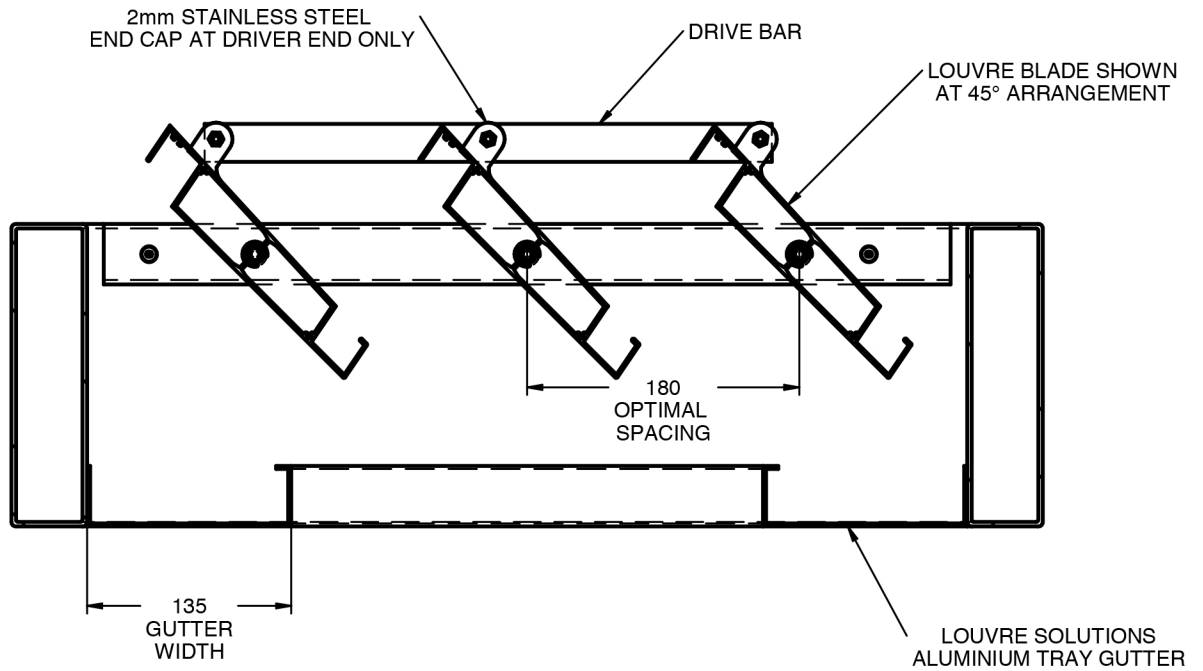


Side Elevation



Front Elevation

