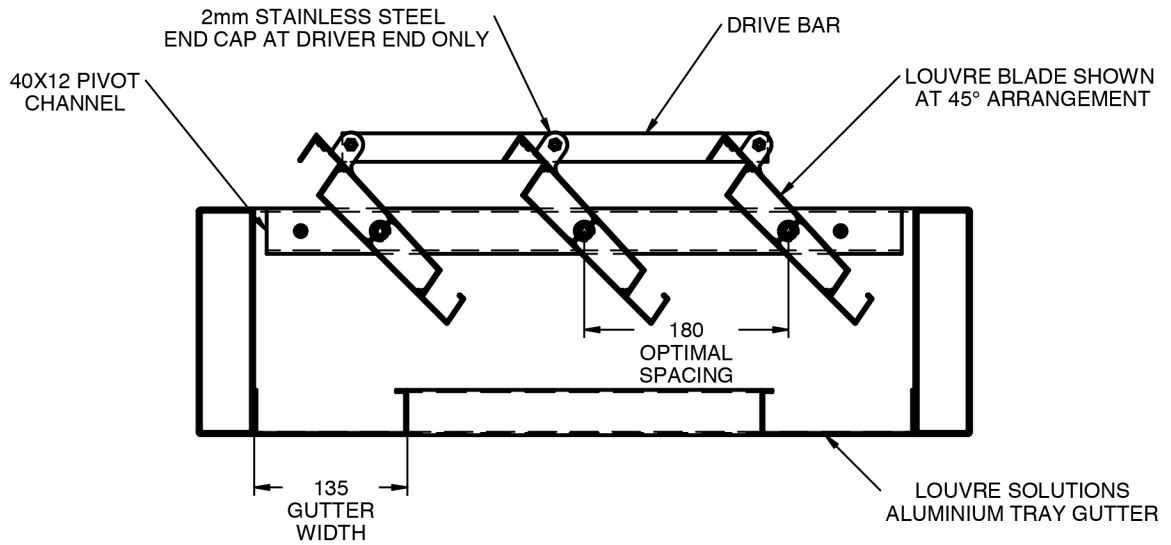
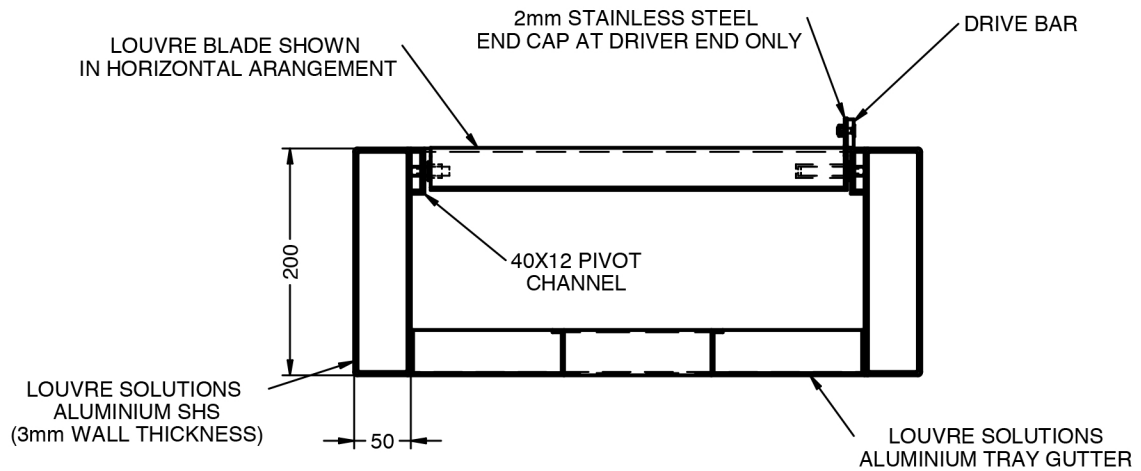


SIDE ELEVATION



FRONT ELEVATION



PLAN VIEW

